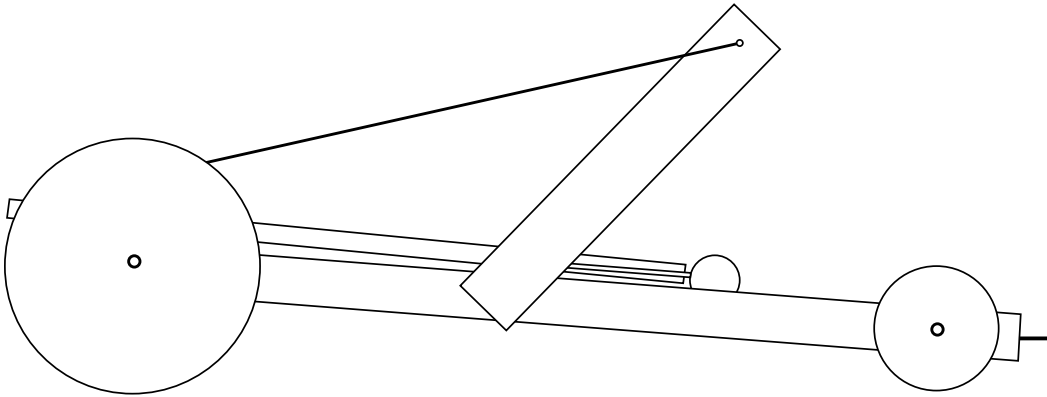
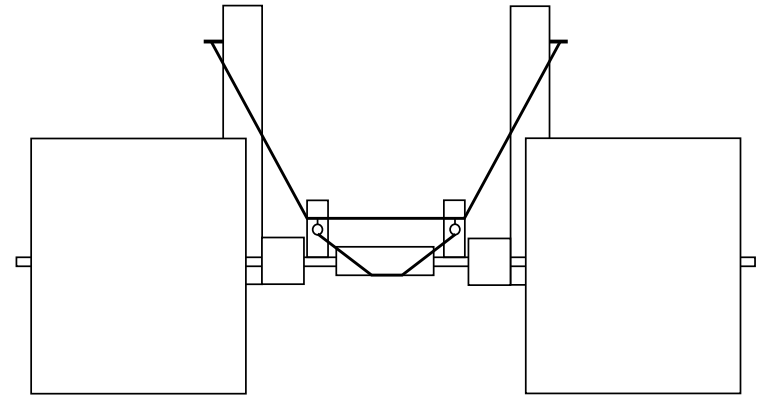


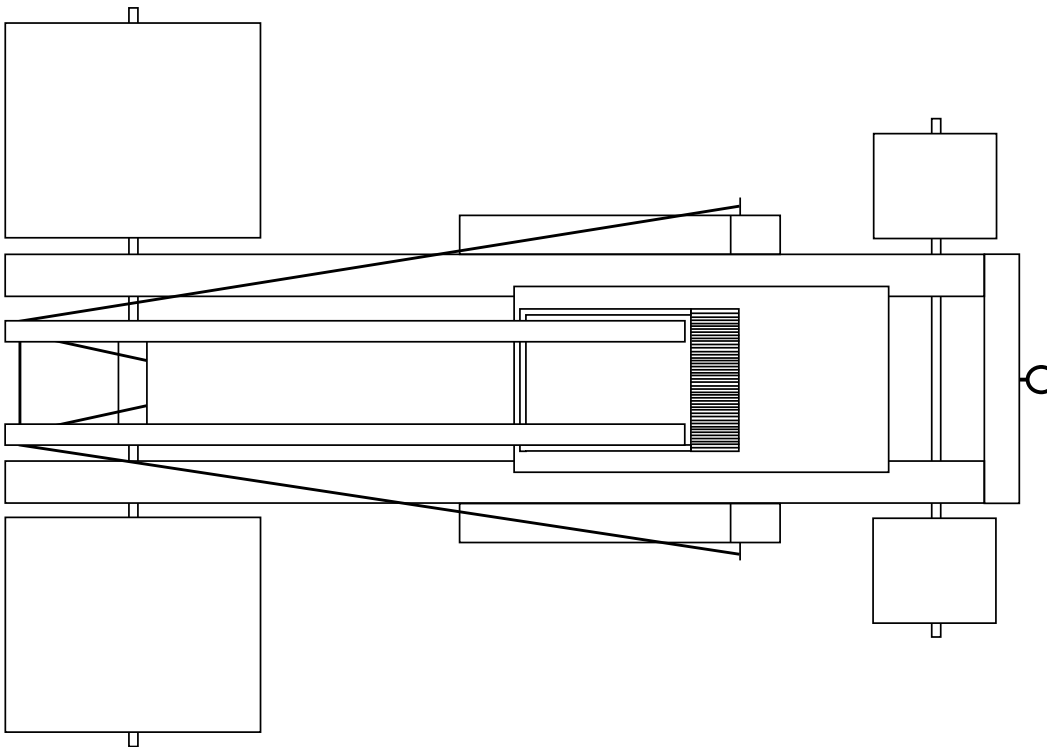
FRONT ELEVATION



SIDE ELEVATION



PLAN ELEVATION



ORTHOGRAPHIC VIEW OF
PROTOTYPE-1 OF CAR.
DESIGN REVIEW 1
GROUP B23

DRAWINGS NOT TO SCALE