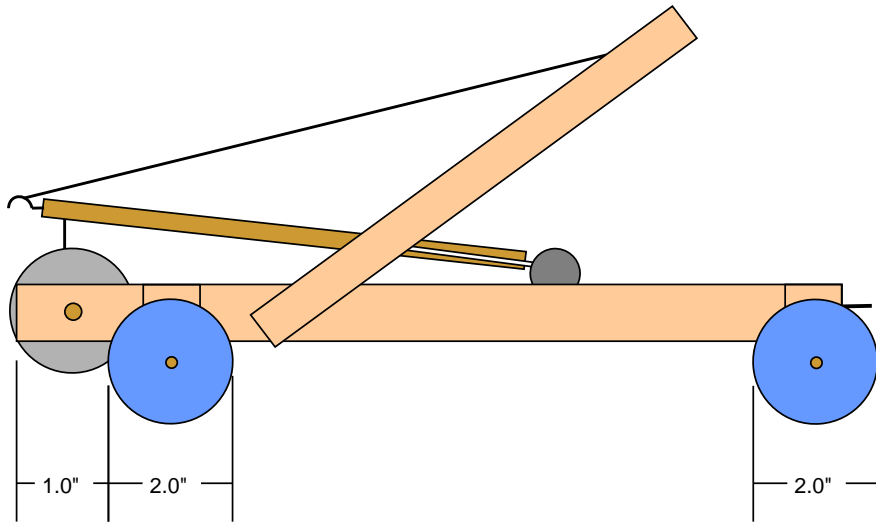
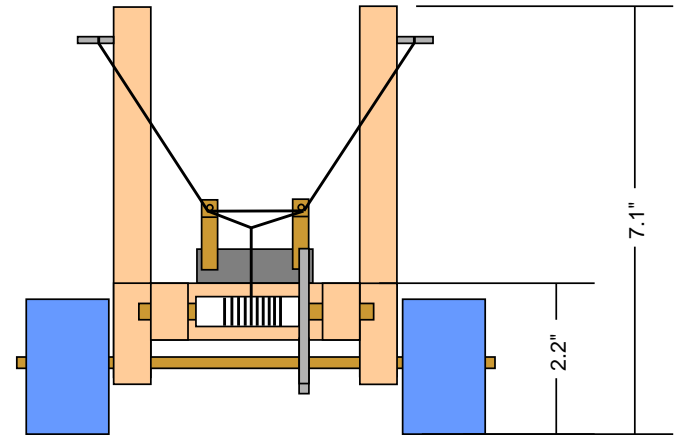


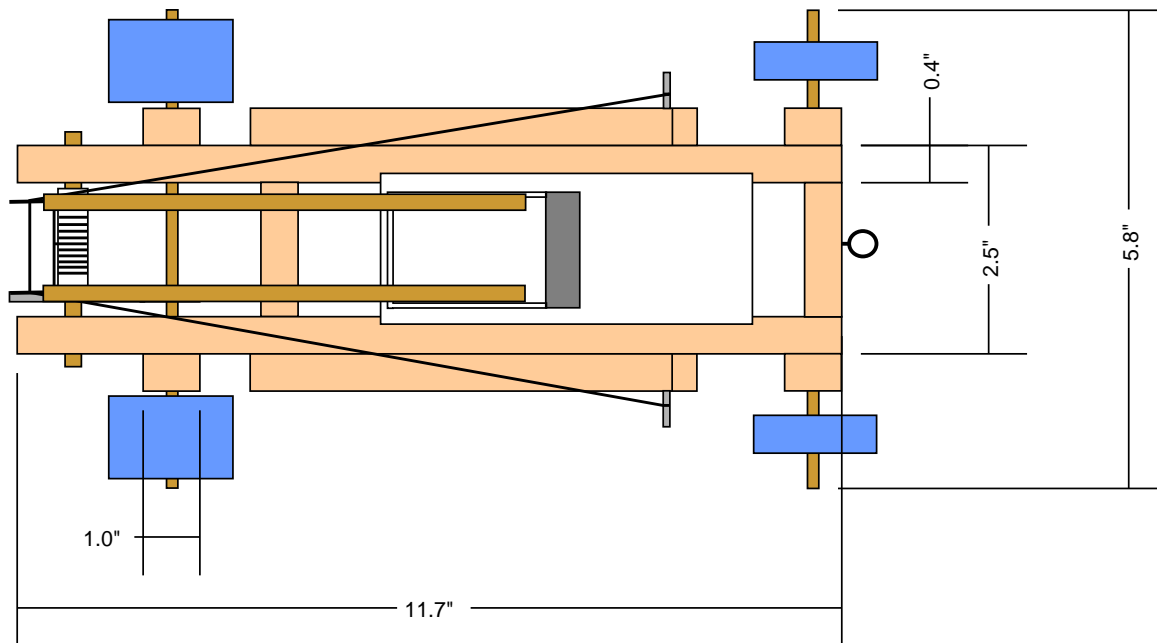
FRONT ELEVATION



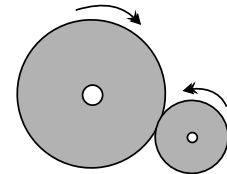
SIDE ELEVATION



PLAN ELEVATION



System of Gears used to propel car



Gear	Radius (in)	No. of teeth
1	1.0	94
2	0.5	47

ORTHOGRAPHIC VIEW OF
 PROTOTYPE-2 OF CAR.
 DESIGN REVIEW 2
 GROUP B23

DRAWINGS NOT TO SCALE