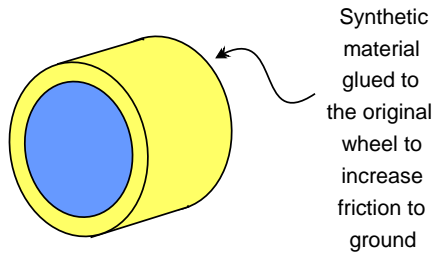
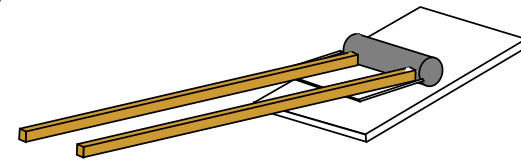
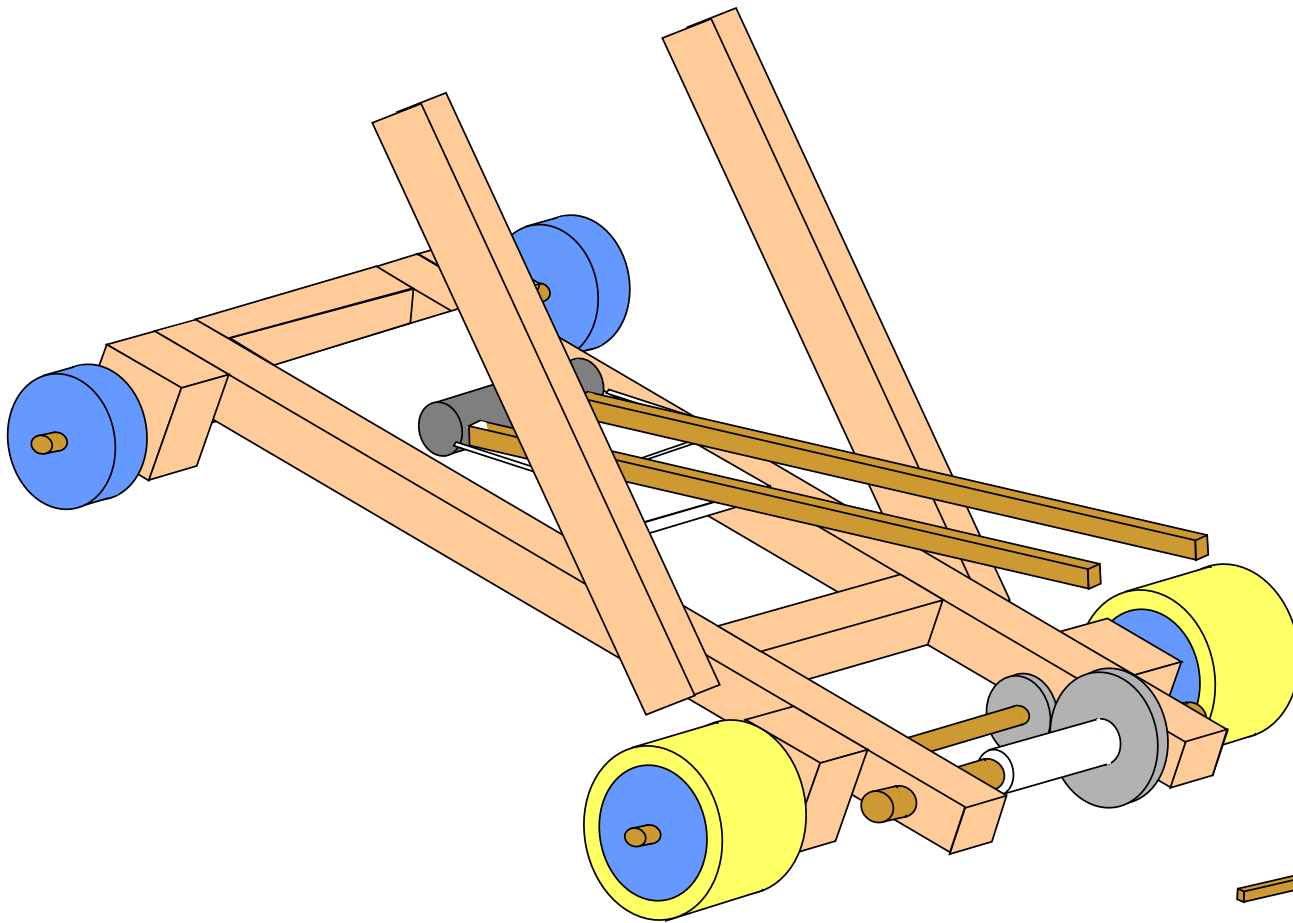


3-DIMENSIONAL VIEW OF
PROTOTYPE-3 OF CAR.
DESIGN REVIEW 3
GROUP B23

DRAWINGS NOT TO SCALE



Synthetic material
glued to
the original
wheel to
increase
friction to
ground

